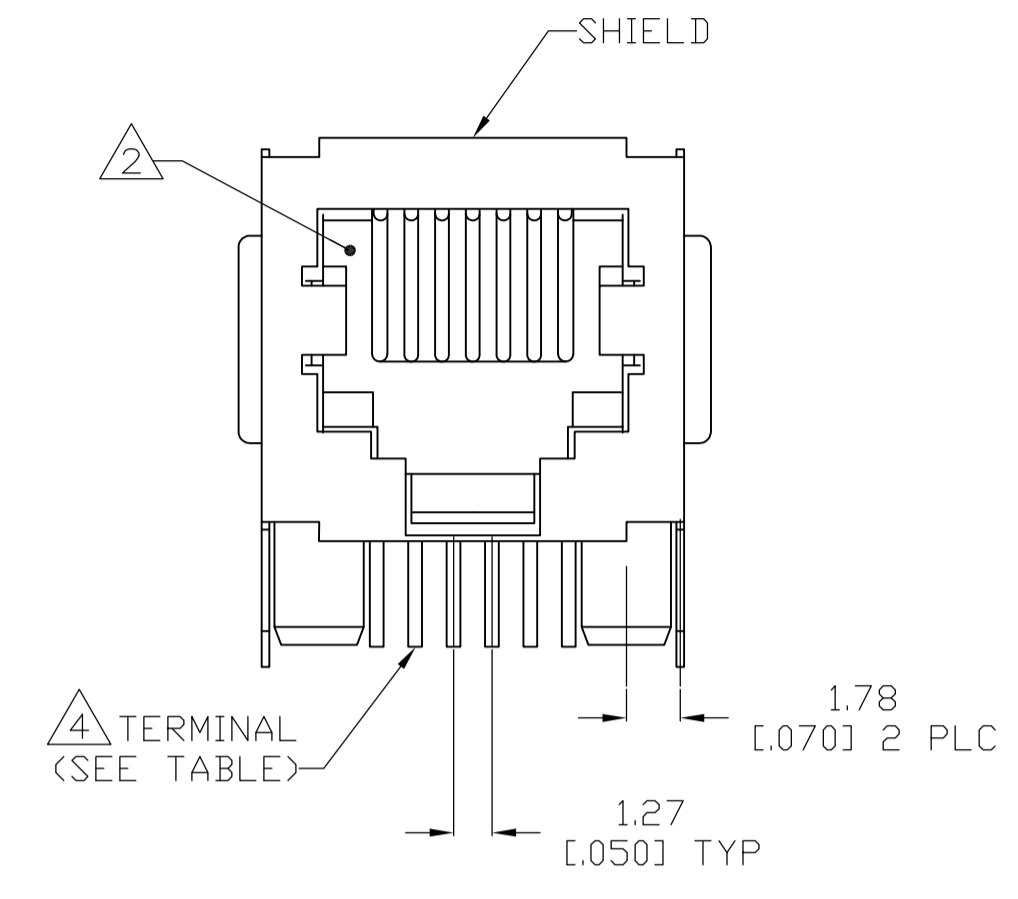
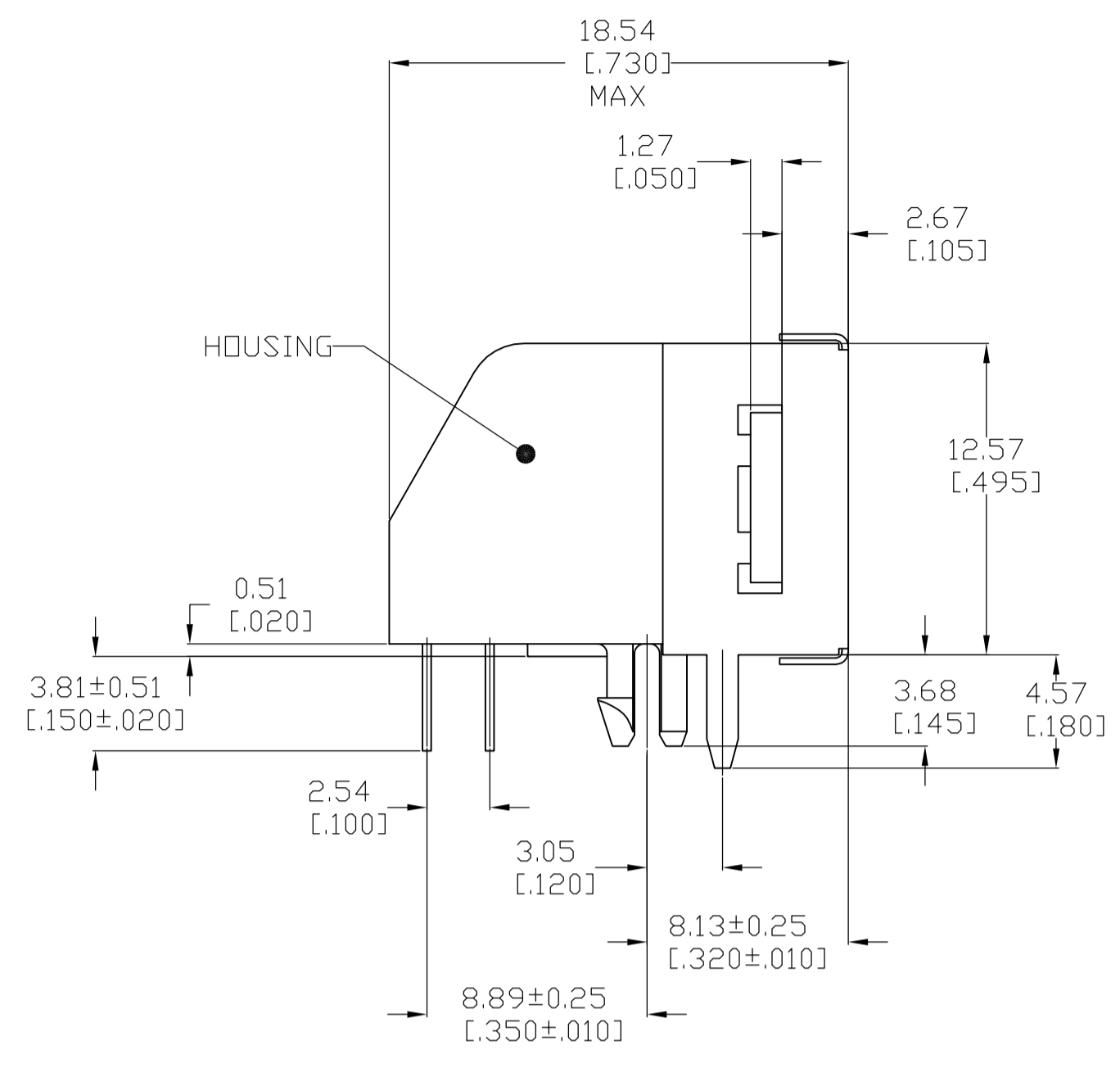
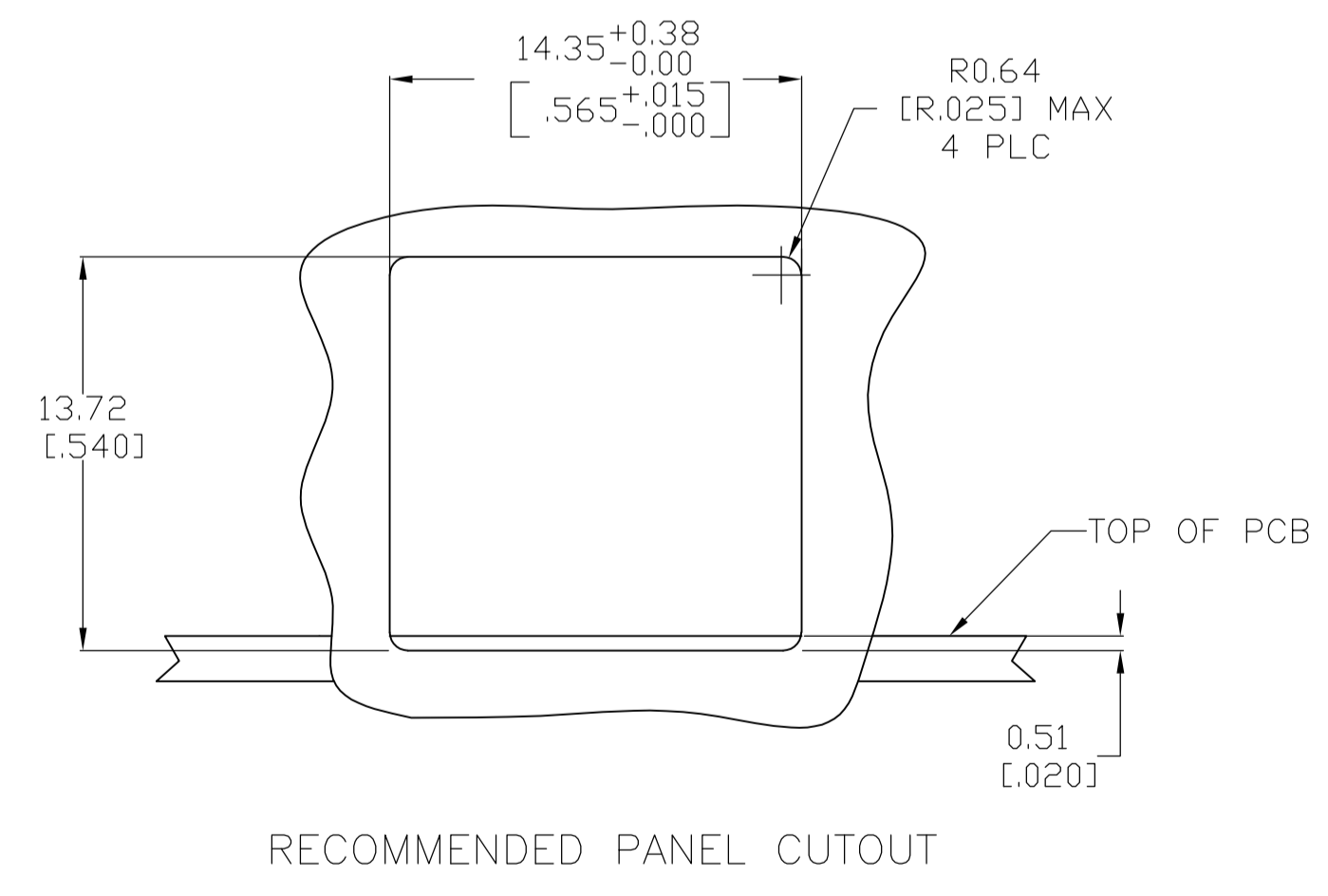
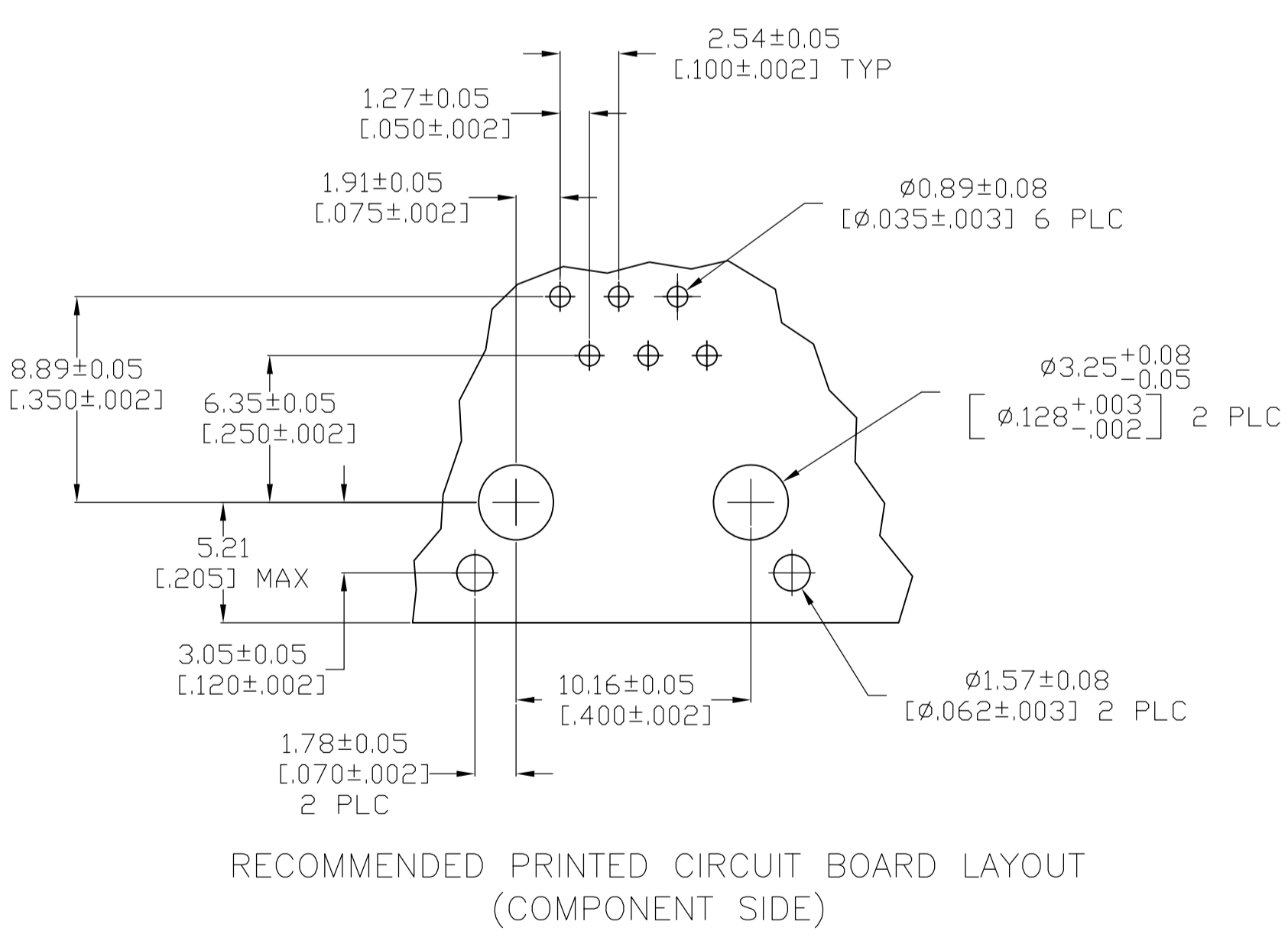
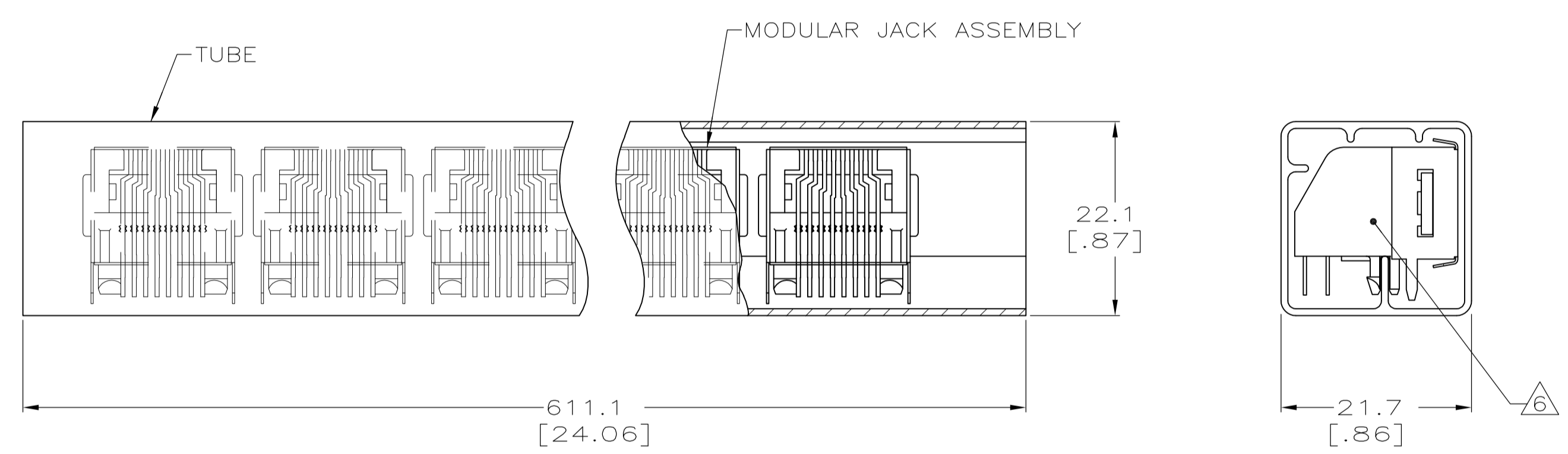
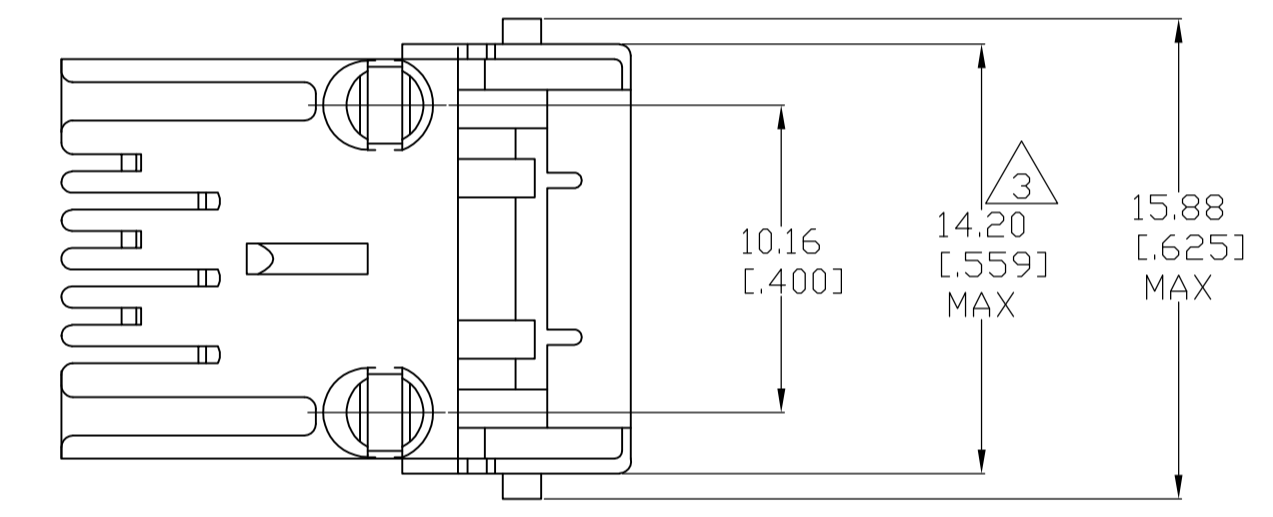


LOC	DIST	REVISIONS			
P	LTR	DESCRIPTION	DATE	DNW	APVD
B1		REVISED PER ECO-11-005033	23MAR11	RK	HMR



- MATERIAL: HOUSING—PBT POLYESTER, COLOR: BLACK
 TERMINAL— 0.36[.014] THICK PHOS-BRONZE PLATED WITH 1.27μm[.000050] MINIMUM THICK HARD GOLD IN LOCALIZED GOLD PLATE AREA AND 3.81μm[.000150] MINIMUM THICK MATTE TIN IN SOLDER AREA OVER 1.27μm[.000050] MINIMUM THICK NICKEL UNDERPLATE
 SHIELD—0.25[.010] THICK COPPER ALLOY
 PLATED WITH 3.0μm[.000120] MINIMUM REFLOWED TIN
- △ CAVITY CONFORMS TO FCC RULES AND REGULATIONS PART 68, SUBPART F.
 - △ DIMENSION MEASURED ALONG FRONT EDGE OF MATING FACE
 - △ TERMINALS FOR 5555154-2 LOCATED IN CENTER POSITIONS.
 - △ BULK PACKAGED IN TRAYS.
 - △ PACKAGED 36 ASSEMBLIES PER TUBE. SEE DETAIL "A".



PACKAGE	TERMINALS REQUIRED	PART NUMBER
6	4	5555154-4
4	4	5555154-2
6	6	5555154-1

THIS DRAWING IS A CONTROLLED DOCUMENT.

DIMENSIONS: mm [INCHES]	TOLERANCES UNLESS OTHERWISE SPECIFIED:	DIN G. ATTADIA - 08/JUN/2005	DRCKS	08/JUN/2005
0 PLC ± -	1 PLC ± -	J. WESTMAN		
2 PLC ± ± 0.13[0.005]	3 PLC ± ± -	S. FLICKINGER		
4 PLC ± ± -	ANGLES ± ± -			
MATERIAL SEE NOTE 1	FINISH SEE NOTE 1	NAME	MODULAR JACK ASSEMBLY, SHIELDED, 6 POSITION, LOW PROFILE, RIGHT ANGLE, PRINTED CIRCUIT BOARD GROUND WITH PANEL STOPS	RESTRICTED TO
		PRODUCT SPEC	108-1163	
		APPLICATION SPEC	114-2048	
		SIZE	A1	
		WEIGHT	00779	
		CUSTOMER DRAWING	SCALE 4:1	SHEET 1 OF 1

STE TE Connectivity